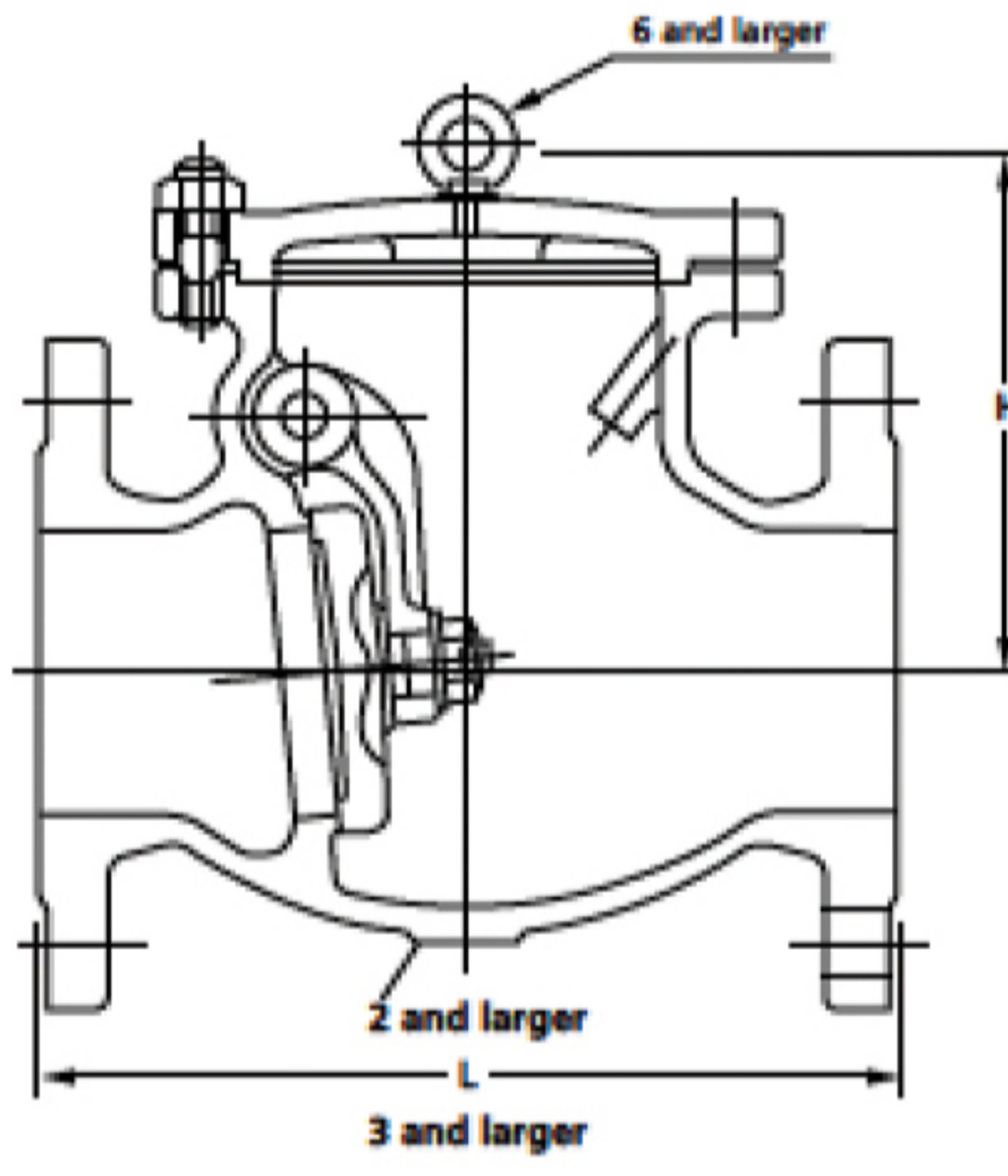


Class 150

SWING CHECK VALVE

Pressure-Temperature Rating: ASME B16.34

150UOAM



Materials

| Parts | 150UOA | 150UOAM |
|----------------|--------------------|---------|
| Body | CF8 | CF8M |
| Cover | CF8 | CF8M |
| Disc | CF8 | CF8M |
| Disc nut* | 304 | 316 |
| Gasket | Refer to Page 10 | |
| Hinge pin | 304 | 316 |
| Plug | 304 | 316 |
| Arm* | CF8 | CF8M |
| Washer* | 316, 316L (3 to 6) | |
| Cover bolt/nut | B8/8 | |
| Split pin* | 316L | |
| Name plate | Aluminum | |

*For size 3 and larger
Note: Body seats and/or disc seats can be optionally hard-faced.

| Items | |
|-------------------------|-----------------------|
| Face to face dimensions | ASME B16.10 Class 150 |
| End flange dimensions | ASME B16.5 Class 150 |
| Wall thickness | ASME B16.34 Class 150 |

| Nominal Size | | 1½ | 2 | 2½ | 3 | 4 | 5 | 6 | 8 | 10 | 12 | 14 | 16 |
|--------------|-----|------|------|------|------|------|------|------|------|------|------|------|------|
| | | | 40 | 50 | 65 | 80 | 100 | 125 | 150 | 200 | 250 | 300 | 350 |
| L | in. | 6.50 | 7.99 | 8.50 | 9.49 | 11.5 | 13.0 | 14.0 | 19.5 | 24.5 | 27.5 | 31.0 | 34.0 |
| | mm | 165 | 203 | 216 | 241 | 292 | 330 | 356 | 495 | 622 | 698 | 787 | 864 |
| H | in. | 4.37 | 4.76 | 5.28 | 5.83 | 6.38 | 7.56 | 8.54 | 10.4 | 11.3 | 12.4 | 14.3 | 16.0 |
| | mm | 111 | 121 | 134 | 148 | 162 | 192 | 217 | 264 | 287 | 315 | 363 | 407 |